

B3Square 4836

Model number:

420003

Dimensions: 48" x 36" x 4"

Installation:

Material: Acrylic



Standard Features:

- Acrylic rectangular shower base with square or round drain
- 3 in. threshold and smooth floor
- Center drain
- Chrome grid and drain included (ABS or PVC available)
- Grids also available in Dark Bronze or Brushed Nickel

Product characteristics:

- Utile Compatible
- Low Threshold
- Bestseller

Warranty:

25 Years

Standard colors:



White (001)



Bone (004)



Biscuit (007)

Certifications

MAAX products adhere to one or more of the following certifications:



Options (Visit our website for a complete list of our options)

No	Description
<input type="checkbox"/> OPT 20208	PVC drain
<input type="checkbox"/> OPT 20253	ABS drain
<input type="checkbox"/> OPT 20254	PVC drain

B3Square 4836

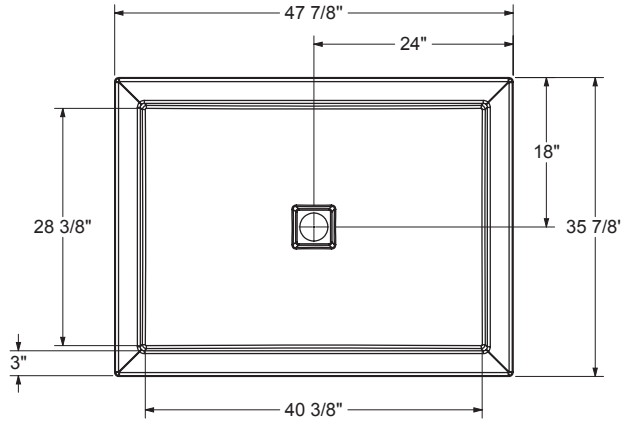
Model number:

420003

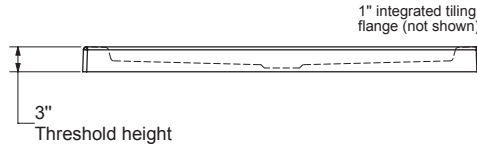
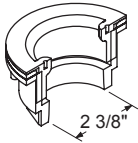
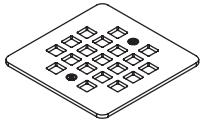
Dimensions: 48" x 36" x 4"

Installation:

Material: Acrylic



**DRAIN INCLUDED
ON B3 SQUARE ONLY**



Dimensions:

47 7/8 x 35 7/8 x 4 in.
(1219 x 911 x 102 mm)

Weight:

47 lbs (21.3 kg)

Shape:

Rectangular

Drain location:

Center

This technical drawing is universal for every 4836 configuration.

Integrated tiling flange : 1" height x 1/4" thick (not shown)
Tiling flange position is determined by chosen configuration.

All dimensions are approximate. Structure measurements must be verified against the unit to ensure proper fit.

Project:

Contractor:

Representative:

Date:

Tel:

Notes: